



EA SPEED LANE

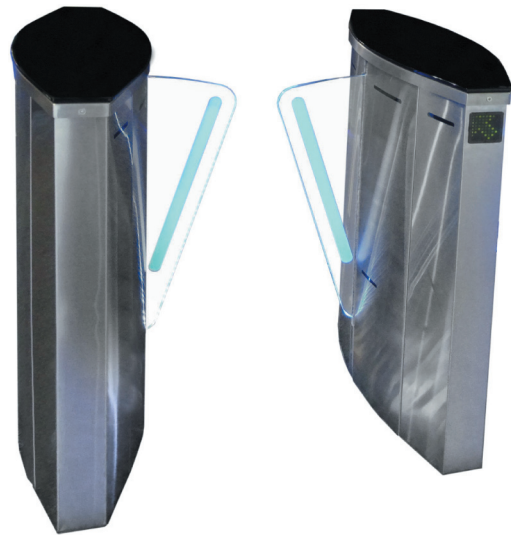
The EA Speed Lane is an ergonomically designed fast speed gate which operates on the principal of glass (or plastic) panels acting as barrier gates, only retracting into the speed lane body upon an authorised signal from access control, a push button or both. Available in a choice of finishes including brushed or polished stainless steel or PPC in any RAL colour, our EA Speed Lane speed gate has the scope to aesthetically blend with most if not all building interiors making it a popular choice for architects and specifiers.

The mechanism within the EA Speed Lane has proven to be robust and reliable thanks to a mix of clever design and high quality components used in manufacture.

Controlled by:  Access control system  Push button

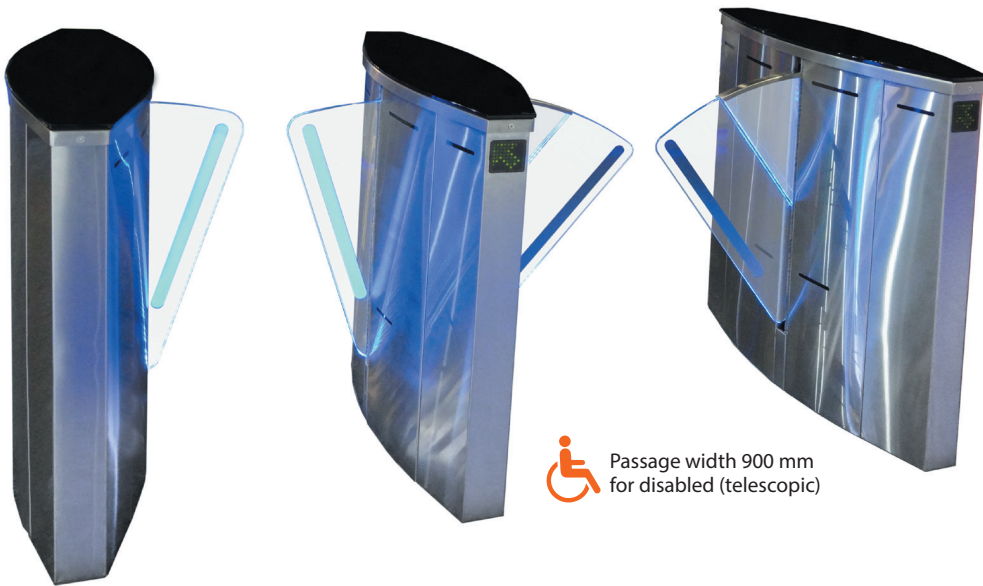
TECHNICAL SPECS:


Width, mm	Single pass (500) - 1080 Two-pass (500 + 500) - 1870
Length, mm	1000
Height, mm	1000
Weight, kg (not more)	Single pass - 202 Two-pass - 324
Mechanism	Motorized
Standard housing	Brushed AISI 304 Stainless Steel
Available housing	Brushed SS AISI 316 Polished SS AISI 304 Polished SS AISI 316

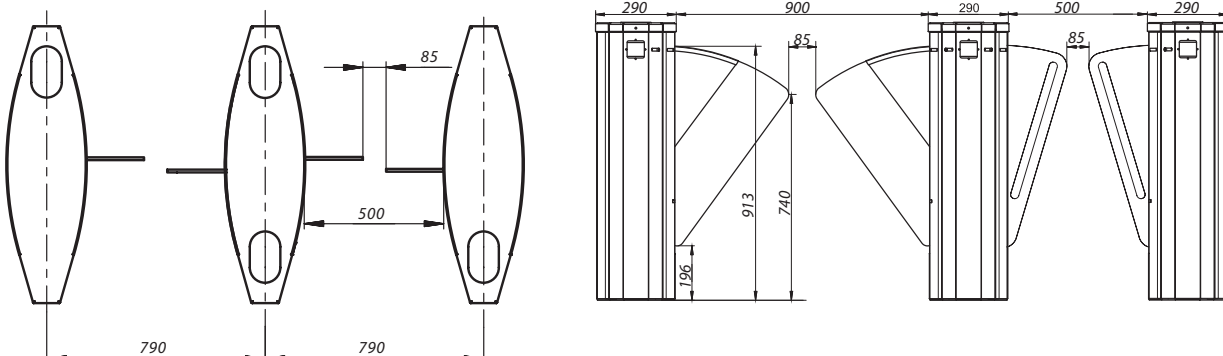


ELECTRICAL SPECS:

- Voltage:
 - from the AC (100-240)V, 50/60Hz;
 - from a DC source 12 V.
- Maximum power consumption 155 W per pass



 Passage width 900 mm for disabled (telescopic)



EA Group (UK) Limited, Units 20-21, Bookham Industrial Park, Church Road, Bookham, Surrey, KT23 3EU

Telephone: 01372 459536 Fax: 01372 454778 Website: www.ea-group.co.uk

PART OF THE ELECTRO AUTOMATION GROUP OF COMPANIES

REGISTERED IN ENGLAND NO. 3094251

VAT NO. 664124937

