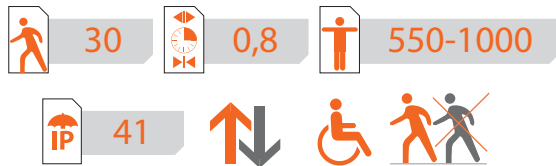


EA SWING LANE



The EA Swing Lane speed gates are stylish waist-high security speed gates that operate on the swing open principle with glass (or plastic) panels acting as the barrier gate. Depending on which side of the EA Swing Lane the person approaches, the gate when authorised, will swing open in the opposing direction allowing them passage through the controlled lane. The EA Swing Lane has the ability to embed most manufacturers access control readers beneath its top glass cover, and with the intuitive LED user indication and guidance, this security speed gate encompasses safety with high traffic flow capacity. The EA Swing Lane is offered with different dimensions of swinging gates, which enables lane widths of up to 900mm.

Controlled by:  Access control system  Push button

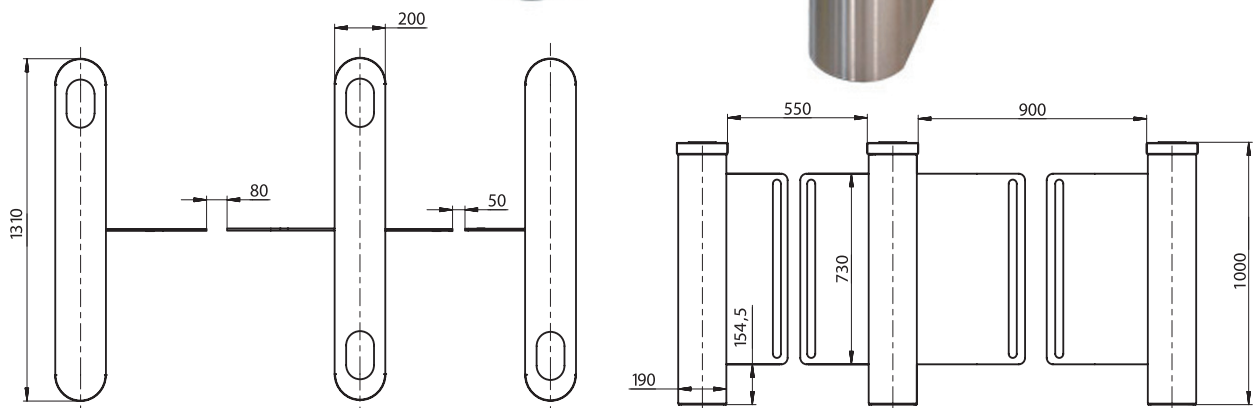
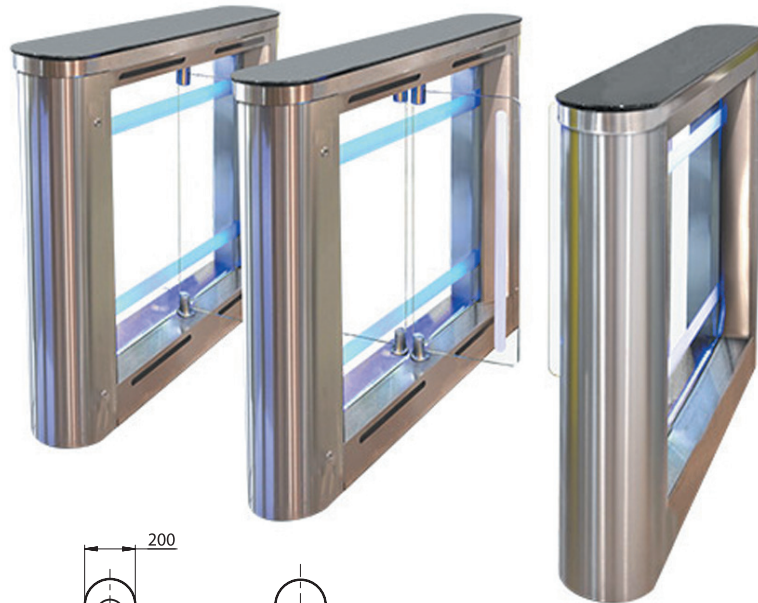


TECHNICAL SPECS:

Width, mm	Single pass (550) – 930mm Two – pass (550 + 550) – 1670
Lenght, mm	1310
Height, mm	1000
Weight, kg (not more)	Single pass – 450 Two – pass – 700
Mechanism	Motorized
Standard housing	Brushed AISI 304
Available housing	Brushed SS AISI 316 Polished SS AISI 304 Polished SS AISI 316 Powder coated RAL

ELECTRICAL SPECS:

- Voltage:
 - from the AC (100-240)V, 50/60Hz;
 - from a DC source 12 V.
- Maximum power consumption 155 W per pass



EA Group (UK) Limited, Units 20-21, Bookham Industrial Park, Church Road, Bookham, Surrey, KT23 3EU

Telephone: 01372 459536 Fax: 01372 454778 Website: www.ea-group.co.uk

PART OF THE ELECTRO AUTOMATION GROUP OF COMPANIES

REGISTERED IN ENGLAND NO. 3094251 VAT NO. 664124937

