

EA SWING HG



EA Swing HG is the tall version of our speed gate model, with high glass panel wings available up to 1800 mm from the floor level. Designed to prevent the passing of items over the turnstile, as well as people hurdling over. The EA Swing HG is available with passage widths of 550mm and 900mm, making this a DDA compliant security speed gate for wheel chair access. Both the height of wings and the passage width dimensions can be exactly specified to suit a building or secure entrance application. The EA Swing HG wings as standard are manufactured from safety tempered glass, but they are also available in polycarbonate or metal tube.

When power goes OFF both directions are free.

Controlled by:  Access control system  Push button

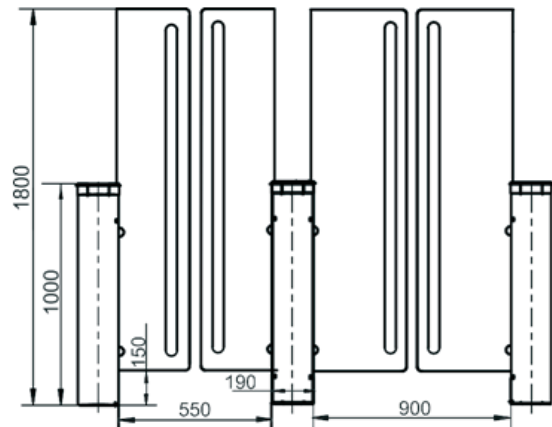
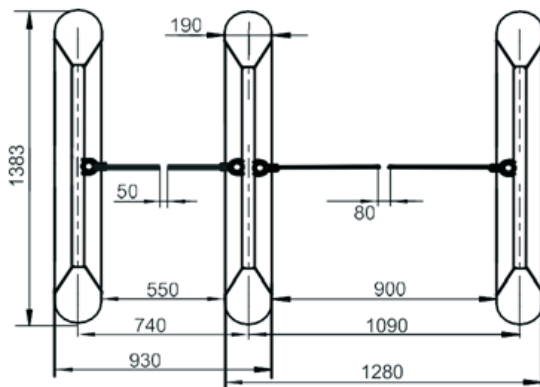
TECHNICAL SPECS:

Width, mm	Single pass (550) - 950 Two pass (550+550) - 1700
Length, mm	1383
Height, mm	1800
Weight, kg (not more)	Single pass - 220 Two - pass - 270
Mechanism	Motorised
Standard housing	Brushed AISI 304
Available housing	Brushed SS AISI 316 Polished SS AISI 304 Polished SS AISI 316 Powder coated RAL Top surface - Black Glass



ELECTRICAL SPECS:

- Voltage:
 - from the AC (100-240)V, 50/60Hz;
 - from a DC source 12 V.
- Maximum power consumption 155 W per pass



EA Group (UK) Limited, Units 20-21, Bookham Industrial Park, Church Road, Bookham, Surrey, KT23 3EU

Telephone: 01372 459536 Fax: 01372 454778 Website: www.ea-group.co.uk

PART OF THE ELECTRO AUTOMATION GROUP OF COMPANIES

REGISTERED IN ENGLAND NO. 3094251

VAT NO. 664124937

