

EA GLASS GATES, GLASS GATES SLIM

Our Glass Gates and Glass Gates Slim are the popular choice for applications requiring a basic swing gate with a motorised drive to control pedestrians, however as the name suggests, these models have glass panels. Offered with several different dimensions, this swing gate model is a useful solution to provide DDA compliant access control. The EA Glass Gate can be controlled manually by a push button or interfaced with wide variety of access control systems. Our Glass Gate models are frequently used together with other turnstiles to facilitate a wider lane access up to 1000 mm making the controlled area DDA compliant. Where space is of a premium, a wall mounted version is also available. The Glass Gate models are available in a choice of polished or brushed stainless steel finishes.



EA GLASS GATE



EA GLASS GATE SLIM

When power goes OFF both directions are free.

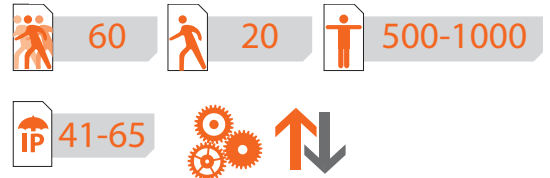
Controlled by:  Access control system  Push button

TECHNICAL SPECS:

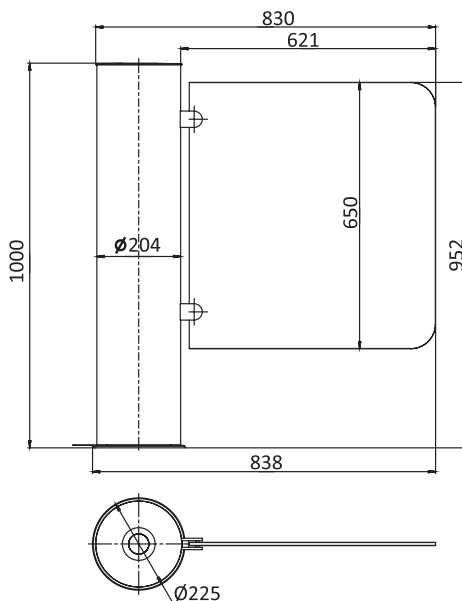
Model	Gate - GS	Gate - GS Slim
Width, mm	830	722
Diameter	204	101
Height, mm	1000	1000
Weight, kg (not more)	83	80
Mechanism	<ul style="list-style-type: none"> • Motorized • Mechanical 	
Standard housing	Brushed AISI 304	
Available housing	Brushed SS AISI 316 Polished SS AISI 304 Polished SS AISI 316	

ELECTRICAL SPECS:

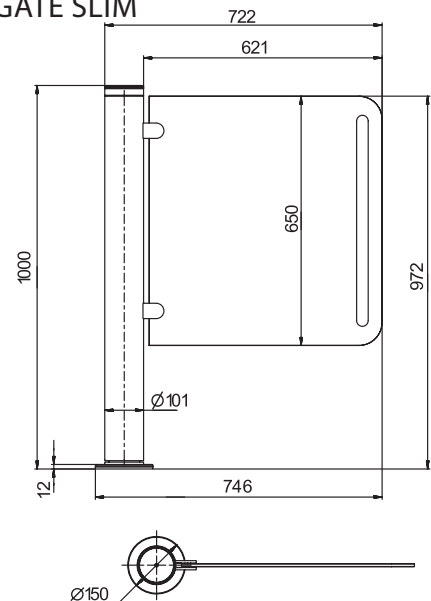
- Voltage:
 - from the AC (100-240)V, 50/60Hz;
 - from a DC source 12 V.
- Maximum power consumption 50 W



EA GLASS GATE



EA GLASS GATE SLIM



EA Group (UK) Limited, Units 20-21, Bookham Industrial Park, Church Road, Bookham, Surrey, KT23 3EU

Telephone: 01372 459536 Fax: 01372 454778 Website: www.ea-group.co.uk

PART OF THE ELECTRO AUTOMATION GROUP OF COMPANIES

REGISTERED IN ENGLAND NO. 3094251 VAT NO. 664124937

