



EA Slide speed gate has been designed with a similar operating principle as the Speed Lane turnstile. The significant difference of the EA Slide is its glass height being higher at 1.5 metres. This design offers a more effective protection of your site by preventing persons 'hurdling' the barrier panels, similar to full-height turnstiles, but it serves to be a aesthetic solution for lobbies of office centers, banks, and other public facilities etc. The high panels prevent items to be carried over the speed gate and offers the opportunity of brand logos to be added on the sliding glass panels. Anti-tailgating is standard and an optional back-up battery is available.

When power goes OFF both directions are free.

Controlled by:  Access control system  Push button

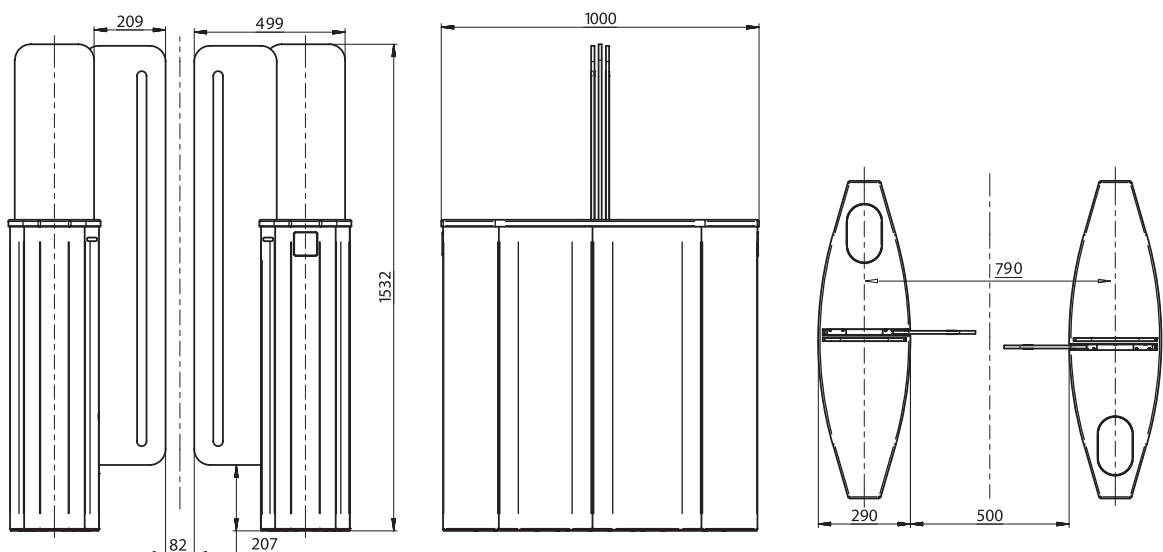
TECHNICAL SPECS:

Width, mm	Single pass (500) – 1080 Two – pass (500 + 500) – 1870
Length, mm	1000
Height, mm	1532
Weight, kg (not more)	Single pass – 288 Two – pass – 469
Mechanism	Motorized
Standard housing	Brushed AISI 304
Available housing	Brushed SS AISI 316 Polished SS AISI 304 Polished SS AISI 316 Powder coated RAL



ELECTRICAL SPECS:

- Voltage:
 - from the AC (100-240)V, 50/60Hz;
 - from a DC source 12 V.
- Maximum power consumption 155 W per pass



EA Group (UK) Limited, Units 20-21, Bookham Industrial Park, Church Road, Bookham, Surrey, KT23 3EU

Telephone: 01372 459536 Fax: 01372 454778 Website: www.ea-group.co.uk

PART OF THE ELECTRO AUTOMATION GROUP OF COMPANIES

REGISTERED IN ENGLAND NO. 3094251 VAT NO. 664124937

